

User manual

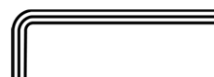
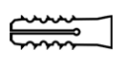
CM-30 (8481-XXXXX)

CM-100 (8482-XXXXX)

Safety instructions

- ⚠ The load limits of the ceiling mount must not be exceeded. Therefore, only use hardware combinations (wall brackets and loudspeakers) specified in the following table.
- ⚠ Only use suitable dowels and screws for your type of ceiling.
- ⚠ Make sure the ceiling can carry the weight of the system.
- ⚠ It is recommended to use medium strength thread locker for each screw connection.

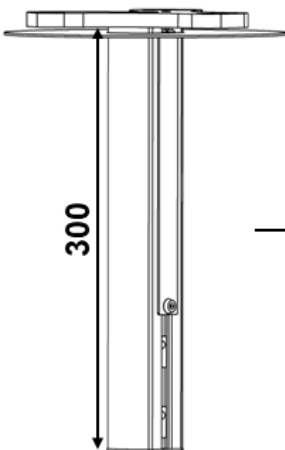
		AT-05	AT-061	AT-07	AT-08	AT-09	AT-10	DLI-130 (b)	DLI-230 (b)	FS-70	FS-110	FS-150	FS-200	LC-20 (b)	LC-60 (b)	LC-100 (b)	LC-150 (b)	LC-220 (b)	LXP-60	LXP-100	LXP-150	LXP-220	Scale-1	Scale-2	
CM-30	WS-1													x	x				x				x	x	
	WS-2 (b)	x	x	x						x	x			x	x				x					x	x
	WLX-100				x	x	x								x	x			x	x					
CM-100	WS-1							2x	2x					x	x	x	2x	2x	x	x	2x	2x	x	x	
	WS-2 (b)	x	x	x										x	x				x					x	x
	WS-6							x	x	x	x	x	x		x	x	x	x	x	x	x	x	x	x	x
	WLX-100				x	x	x									x				x					



Ø 8 mm (3x) Ø 6 mm (3x)

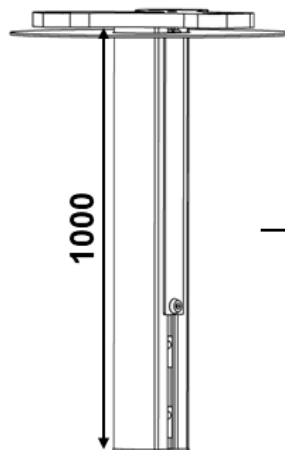
3, 4 mm
T10, T45

1a.



8481-XXXXX

1b.

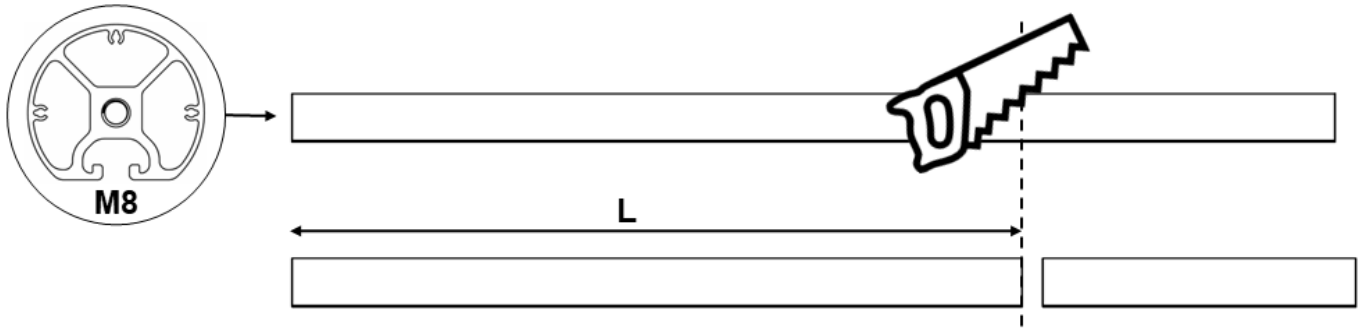


8482-XXXXX

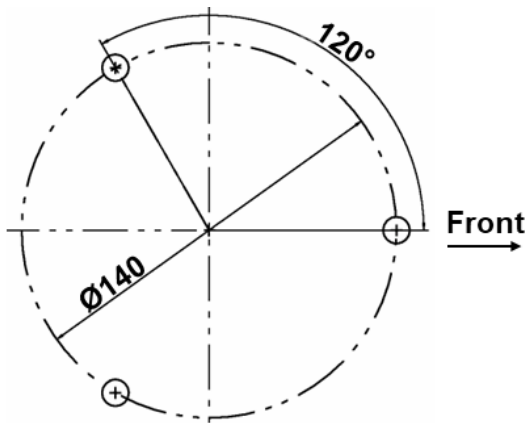


Fohhn

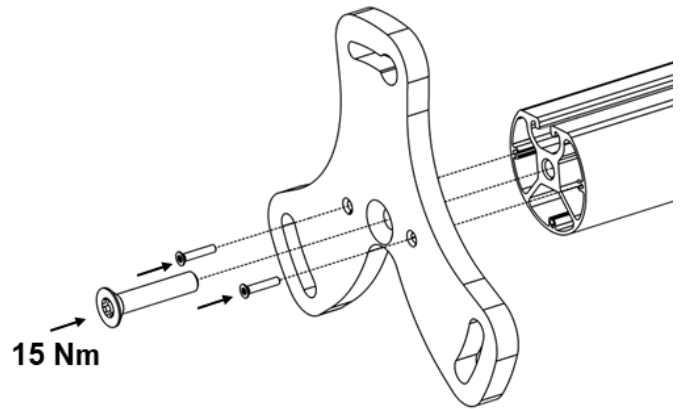
(2.)



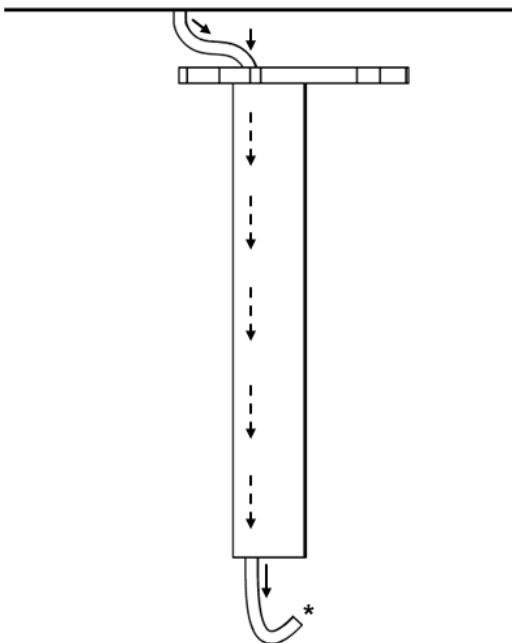
3.



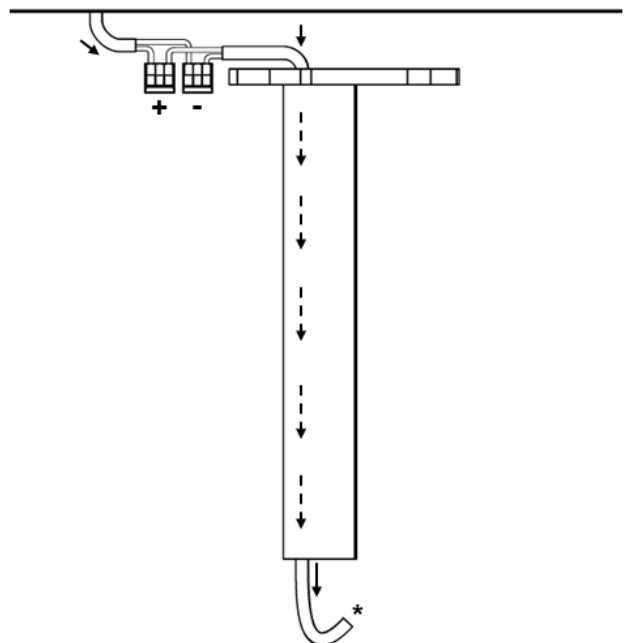
4.



5a.

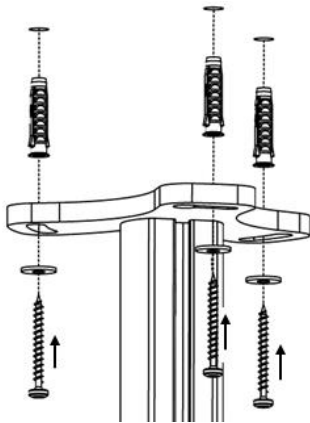


5b.

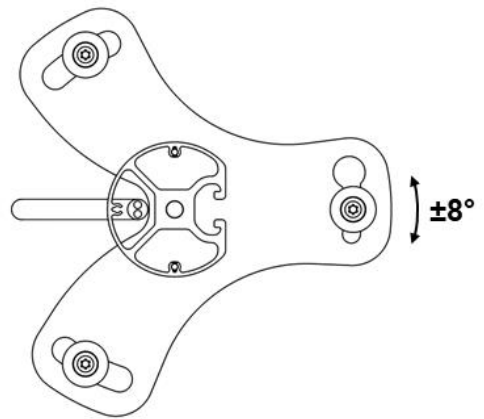


*cables not included

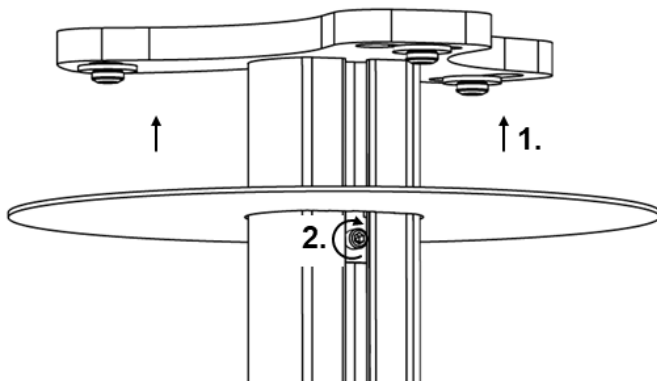
6.



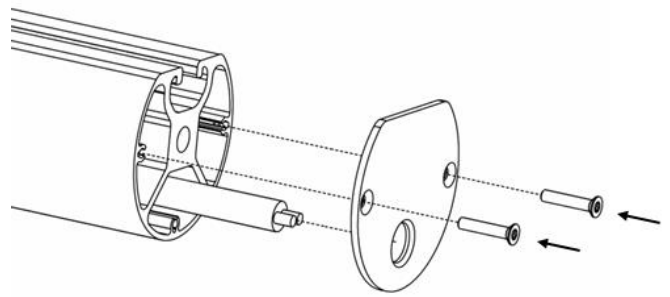
7.



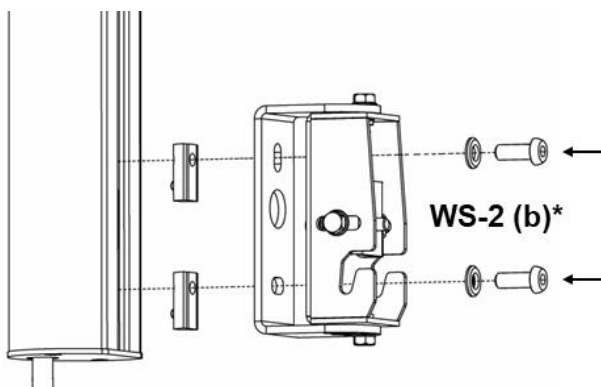
8.



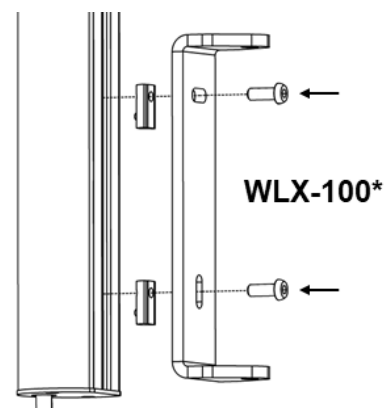
9.



10a.



10b.

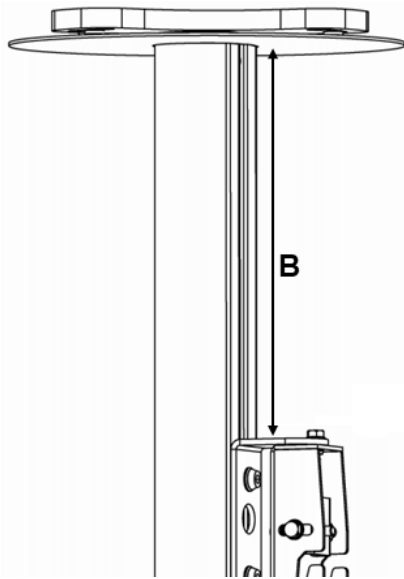


*wall mount brackets not included

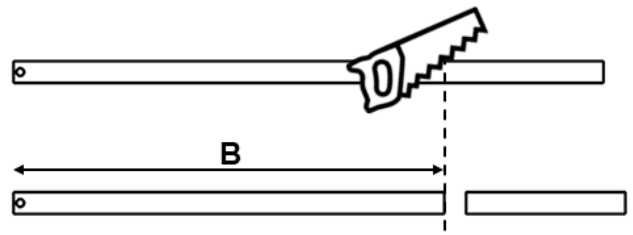


Fohhn

11.



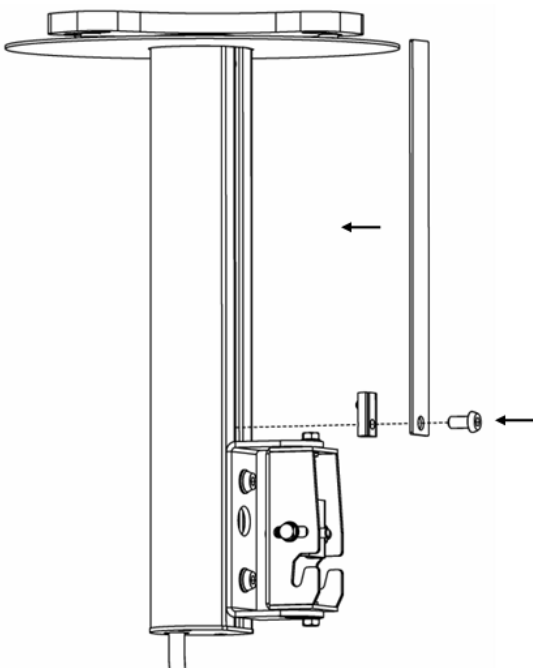
(12.)



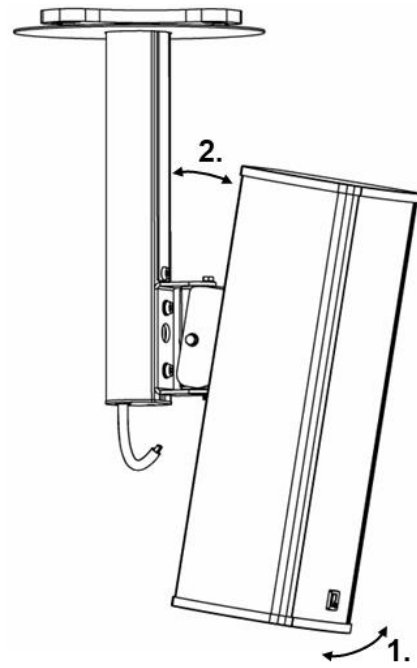
13.



14.



15.



16.

